
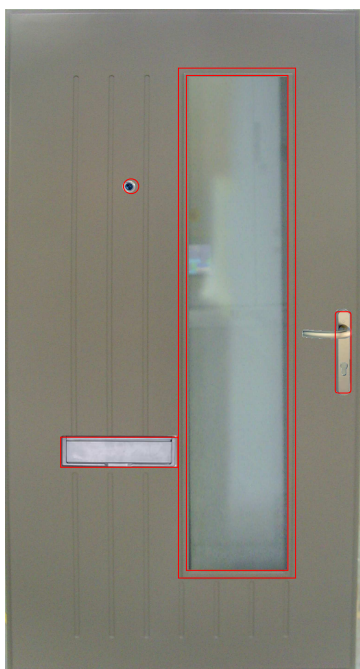


Composed by: OH/CMO	GUIDELINES	
Rev.date: 25.03.2015	Ref.: Sealing of cut outs in doors	No: 002

Sealing of cut outs in doors

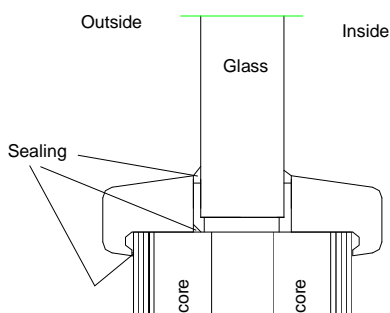
The red lines on the drawing shows how the sealing ought to be on the external side as well as inside the construction to prevent water penetration.



The OH door leaf is a composite sandwich construction, with polystyrene foam as insulation and a cross banded veneer construction and aluminium for stability. It is therefore important that the construction and inner core is protected from moisture.

- It is very important to seal all cut outs in a door with a sealer to avoid water to get into the construction. Seal the inside and outside of the construction with e.g. a water based acrylic sealer.
- Installation of a door knocker, letter slot, weatherbar canopy, kicking plate, decoration etc. where the painted surface will be discontinued, the nail/screw holes shall be sealed to prevent moisture entering.
- It is very important to seal the surface of the hdf door with sufficient primer and topcoat. You must be more careful with the surface treatment on hdf doors than on a timber door. Especially on the edges and in the grooves.
- Close the inside of all edges of the board in all cut outs with primer and topcoat.
- Never close openings between stiles and rails in the bottom of the door. It's important to allow humidity to get out of the construction.

Installation of glazing cassettes



- After the installation of the glass or panel the glazing cassettes shall be sealed on the external side as well as sealed inside the construction.
- In connection to the sealing it is important that the drain holes in the bottom glass cassettes are not sealed.