

Door blank with Mahogany veneer - 110 mm stiles and rails

Construction: 1,5 mm Mahogany veneer
 1,5 mm cross grain veneer
 1,5 mm long grain veneer
 0,3 mm Aluminium - moisture barrier - stabilizer
 1,5 mm long grain inner veneer
 Insulation - Polystyrene (Appr. 20 kg/m³ - heat conductivity: 0,034 W/mK)
 1,5 mm long grain inner veneer
 0,3 mm Aluminium - moisture barrier - stabilizer
 1,5 mm long grain veneer
 1,5 mm cross grain veneer
 1,5 mm Mahogany veneer

U-Value:

U-Value - W/m ² K									
54 mm	58 mm	60 mm	64 mm	68 mm	73 mm				
1,01	0,98	0,92	0,88	0,83	0,78				

Size 1000 mm x 2000 mm

Heat conductivity is calculated on the basis of the practical heat conductivity of each included material - taken from data sheets and DS418, version 6, 2002. Also relating to EN 12524.

Weight:

Weight appr. Kg./m ²									
54 mm	58 mm	60 mm	64 mm	68 mm	73 mm				
20,8	21,8	22,3	23,3	24,2	25,5				

Size 1000 mm x 2000 mm

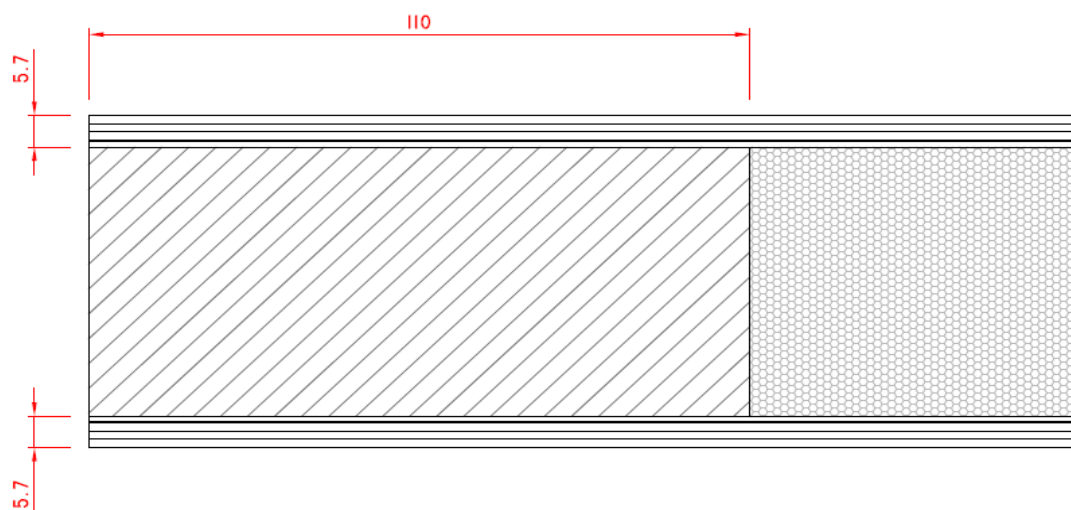
Measure:

Min.: 250 x 450 mm - Max.: 1200 x 2400 mm

Tolerances:

Width/Height: +/- 1 mm - Diagonal: +/- 2 mm - Thickness: +/- 0,8 mm

Section drawing:



Made: 05.03.14	Data sheet: PMN	Draw.: HMN
Revised:	Data sheet:	Draw.: