

Door blank with Oak veneer - 110 mm stiles and rails

Construction: 1,5 mm Oak veneer
 1,5 mm cross grain veneer
 1,5 mm long grain veneer
 0,3 mm Aluminium - moisture barrier - stabilizer
 1,5 mm long grain inner veneer
 Insulation - Polystyrene (Appr. 20 kg/m³ - heat conductivity: 0,034 W/mK)
 1,5 mm long grain inner veneer
 0,3 mm Aluminium - moisture barrier - stabilizer
 1,5 mm long grain veneer
 1,5 mm cross grain veneer
 1,5 mm Oak veneer

U-Value:

| U-Value - W/m ² K | | | | | | | | | |
|------------------------------|-------|-------|--|--|--|--|--|--|--|
| 54 mm | 58 mm | 60 mm | | | | | | | |
| 1,21 | 0,98 | 0,92 | | | | | | | |

Size 1000 mm x 2000 mm
 Heat conductivity is calculated on the basis of the practical heat conductivity of each included material - taken from data sheets and DS418, version 6, 2002. Also relating to EN 12524.

Weight:

| Weight appr. Kg./m ² | | | | | | | | | |
|---------------------------------|-------|-------|--|--|--|--|--|--|--|
| 54 mm | 58 mm | 60 mm | | | | | | | |
| 20,8 | 21,8 | 22,3 | | | | | | | |

Size 1000 mm x 2000 mm

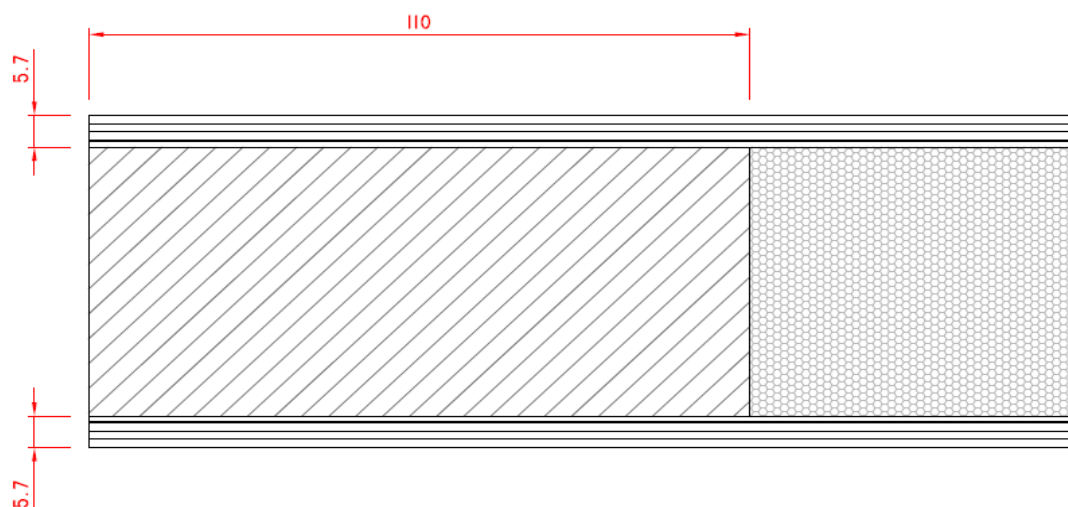
Measure:

Min.: 250 x 450 mm - Max.: 1200 x 2400 mm

Tolerances:

Width/Height: +/- 1 mm - Diagonal: +/- 2 mm - Thickness: +/- 0,8 mm

Section drawing:



| | | |
|----------------|-----------------|------------|
| Made: 05.03.14 | Data sheet: PMN | Draw.: HMN |
| Revised: | Data sheet: | Draw.: |

O.H.Industri A/S
 Smedevej 17
 DK - 7430 Ikast
 +45 9725 1200
www.ohindustri.com