

Door blank with Chen-Chen veneer - 110 mm stiles and rails - SBD 9

Construction: 1,5 mm Chen-Chen veneer
 1,5 mm cross grain veneer
 1,5 mm long grain veneer
 0,3 mm Aluminium - moisture barrier - stabilizer
 1,5 mm long grain inner veneer
 Insulation - Polystyrene/2 x 9 mm plywood
 1,5 mm long grain inner veneer
 0,3 mm Aluminium - moisture barrier - stabilizer
 1,5 mm long grain veneer
 1,5 mm cross grain veneer
 1,5 mm Chen-Chen veneer

U-Value:

U-Value - W/m ² K									
54 mm	58 mm	60 mm	68 mm	80 mm	88 mm				
1,15	1,07	1,03	0,90	0,77	0,70				

Size 1000 mm x 2000 mm
 Heat conductivity is calculated on the basis of the practical heat conductivity of each included material - taken from data sheets and DS418, version 6, 2002. Also relating to EN 12524.

Weight:

Weight appr. Kg./m ²									
54 mm	58 mm	60 mm	68 mm	80 mm	88 mm				
21,1	21,8	22,1	23,4	25,4	26,8				

Size 1000 mm x 2000 mm

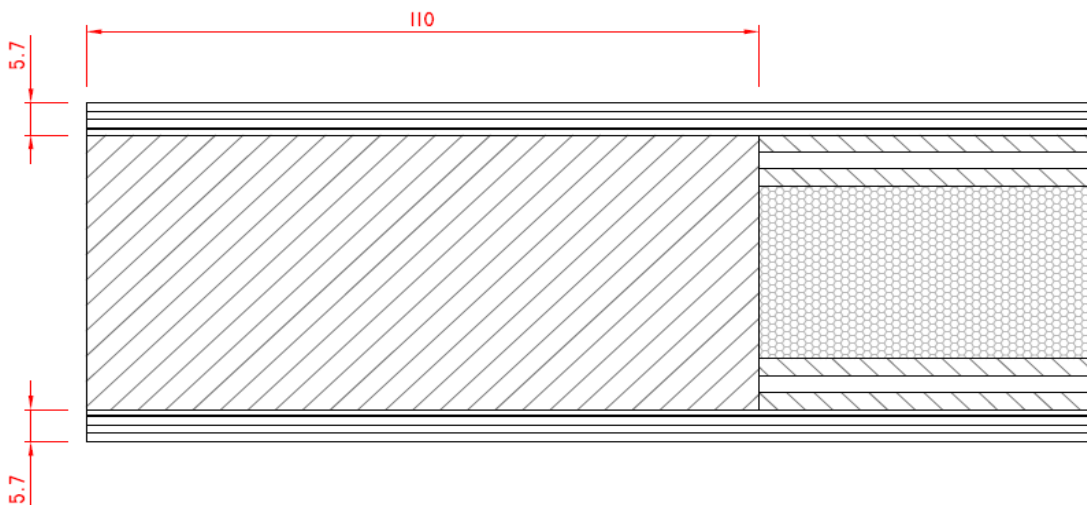
Measure:

Min.: 250 x 450 mm - Max.: 1200 x 2400 mm

Tolerances:

Width/Height: +/- 1 mm - Diagonal: +/- 2 mm - Thickness: +/- 0,8 mm

Section drawing:



O.H.Industri A/S
 Smedevej 17
 DK - 7430 Ikast
 +45 9725 1200
www.ohindustri.com

Made: 05.03.14	Data sheet: PMN	Draw.: HMN
Revised:	Data sheet:	Draw.: