

Door blank with Chen-Chen veneer - 110 mm stiles and rails - SBD 4

Construction:

- 1,5 mm Chen-Chen veneer
- 1,5 mm cross grain veneer
- 1,5 mm long grain veneer
- 0,3 mm Aluminium - moisture barrier - stabilizer
- 1,5 mm long grain inner veneer
- Insulation - Polystyrene/2 x 4 mm plywood
- 1,5 mm long grain inner veneer
- 0,3 mm Aluminium - moisture barrier - stabilizer
- 1,5 mm long grain veneer
- 1,5 mm cross grain veneer
- 1,5 mm Chen-Chen veneer

U-Value:

U-Value - W/m ² K						
44 mm	54 mm	58 mm	60 mm	68 mm	80 mm	88 mm
1,28	1,05	0,98	0,95	0,85	0,73	0,68

Size 1000 mm x 2000 mm

Heat conductivity is calculated on the basis of the practical heat conductivity of each included material - taken from data sheets and DS418, version 6, 2002. Also relating to EN 12524.

Weight:

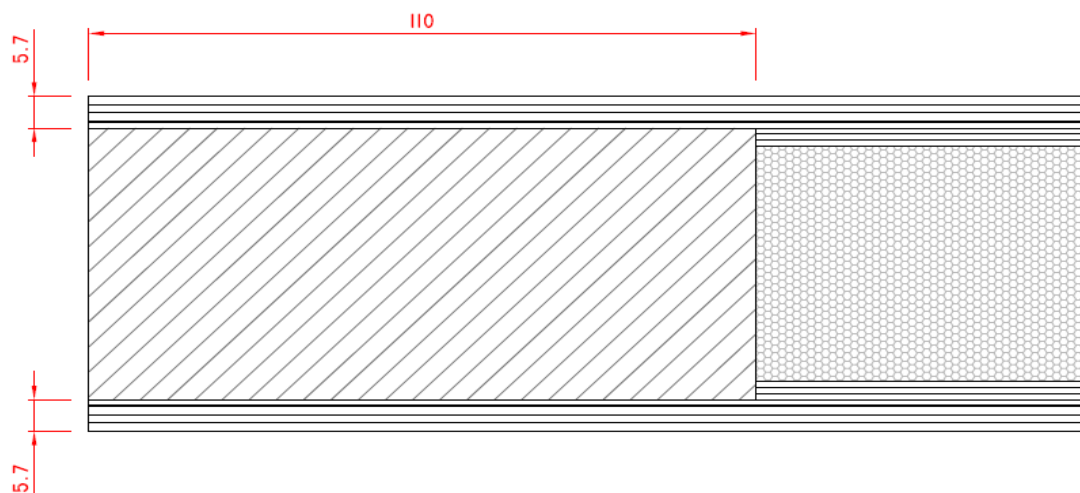
Weight appr. Kg./m ²						
44 mm	54 mm	58 mm	60 mm	68 mm	80 mm	88 mm
15,7	17,5	18,2	18,5	19,8	21,8	23,2

Size 1000 mm x 2000 mm

Measure: Min.: 250 x 450 mm - Max.: 1200 x 2400 mm

Tolerances: Width/Height: +/- 1 mm - Diagonal: +/- 2 mm - Thickness: +/- 0,8 mm

Section drawing:



Made: 05.03.14	Data sheet: PMN	Draw.: HMN
Revised:	Data sheet:	Draw.: