

**Fire rating(EI:30)30 minutes - Door blank with Chen-Chen veneer - 110 mm stiles and rails**

**Construction:**

- 1,5 mm Chen-Chen veneer
- 1,5 mm cross grain veneer
- 1,5 mm long grain veneer
- 0,3 mm Aluminium - moisture barrier - stabilizer
- 1,5 mm long grain inner veneer
- Insulation - Fibre board / 12 mm Gypsum / Fibre board
- 1,5 mm long grain inner veneer
- 0,3 mm Aluminium - moisture barrier - stabilizer
- 1,5 mm long grain veneer
- 1,5 mm cross grain veneer
- 1,5 mm Chen-Chen veneer

**U-Value:**

U-Value - W/m <sup>2</sup> K	
68 mm	
1,20	

Size 1000 mm x 2000 mm

Heat conductivity is calculated on the basis of the practical heat conductivity of each included material - taken from data sheets and DS418, version 6, 2002. Also relating to EN 12524.

**Weight:**

Weight appr. Kg./m <sup>2</sup>	
68 mm	
23,9	

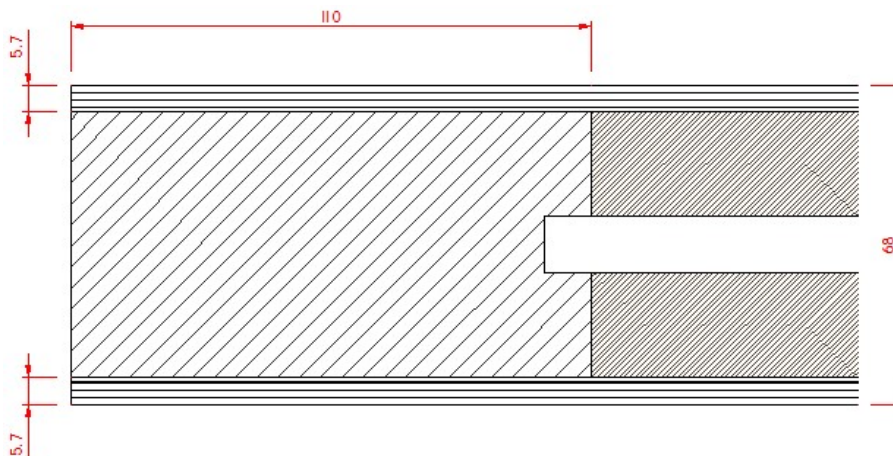
Size 1000 mm x 2000 mm

**Measure:**

Min.: 250 x 450 mm - Max.: 1200 x 2400 mm

**Tolerances:**

Width/Height: +/- 1 mm - Diagonal: +/- 2 mm - Thickness: +/- 0,8 mm

**Section drawing:**

Made: 20.02.2017	Data sheet: CRS	Draw.: CRS
Revised:	Data sheet:	Draw.:

O.H.Industri A/S  
 Smedevej 17  
 DK - 7430 Ikast  
 +45 9725 1200  
[www.ohindustri.com](http://www.ohindustri.com)