

## Glazing cassettes: Measurements and dimensions

### Glazing cassettes made of vacuum impregnated pine tree:

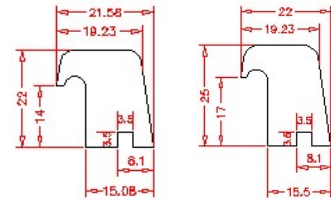
Doorleaf thickness:

60 mm or more:

Glazing cassettes - 2x17 mm rebate thickness

54 mm or less:

Glazing cassettes - 2x14 mm rebate thickness



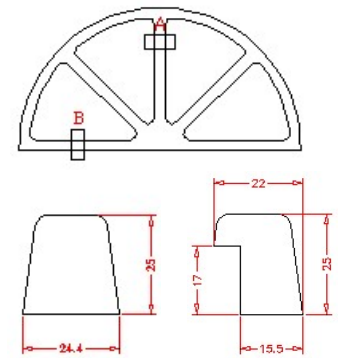
54 mm or less

60 mm or more

### Glazing cassettes:

Section A: 24 mm glazing bar

Section B: Like the glazing cassettes on the drawings above



Section A

Section B

### Glass Thickness:

Doorleaf thickness

54	60	68	80
----	----	----	----

Rebate thickness, glazing cassettes (x2)

14	17	17	17
----	----	----	----

Glass thickness, suggestions

26	26	34	46
----	----	----	----

Formula: (Doorleaf thickness minus rebate thickness on glazing cassettes, both sides)

Example: (60 mm doorleaf - 17 mm rebate thickness - 17 mm rebate thickness = 26 mm glass thickness)

Made: 09.02.2017	Data sheet: CRS	Draw.: HMN
Revised:		

O.H.Industri A/S  
 Smedevej 17  
 DK - 7430 Ikast  
 +45 9725 1200  
[www.ohindustri.com](http://www.ohindustri.com)